



# YOUR MOM

YourMomsAgency.com  
Contact: [nadia@yourmomsagency.com](mailto:nadia@yourmomsagency.com)

## **TECH RIDER 6zm DJ SET**

### **CDJ Setup**

1x Pioneer DJM-900NXS2 (or equivalent)  
2x linked Pioneer CDJs 2000NXS2 or 2000NXS  
2x Booth monitors  
1x 3-Way multi-plug

### **Controller Setup**

1x Laptop stand  
2x Booth monitors  
1x min 3-way multi-plug  
Flat surface for controller (min. 80x40 cm)

## **TECH RIDER 6zm LIVE ELECTRONIC SET**

### **Channels**

1x Stereo balanced 6.35 TRS output

## Audio Requirements

1x Stereo or 2x Mono DIBox  
1x Microphone (Shure SM58 or equivalent)  
1x Microphone stand

## Stage Setup

1x Stool/Hocker  
1x Flat surface (min.100x70 cm for equipment)  
1x Guitar stand

## Monitoring Requirements

1x Stereo or 2x Mono aux sends  
from the mixer to the headphone amp for in-ear monitoring  
1x Stage Monitor

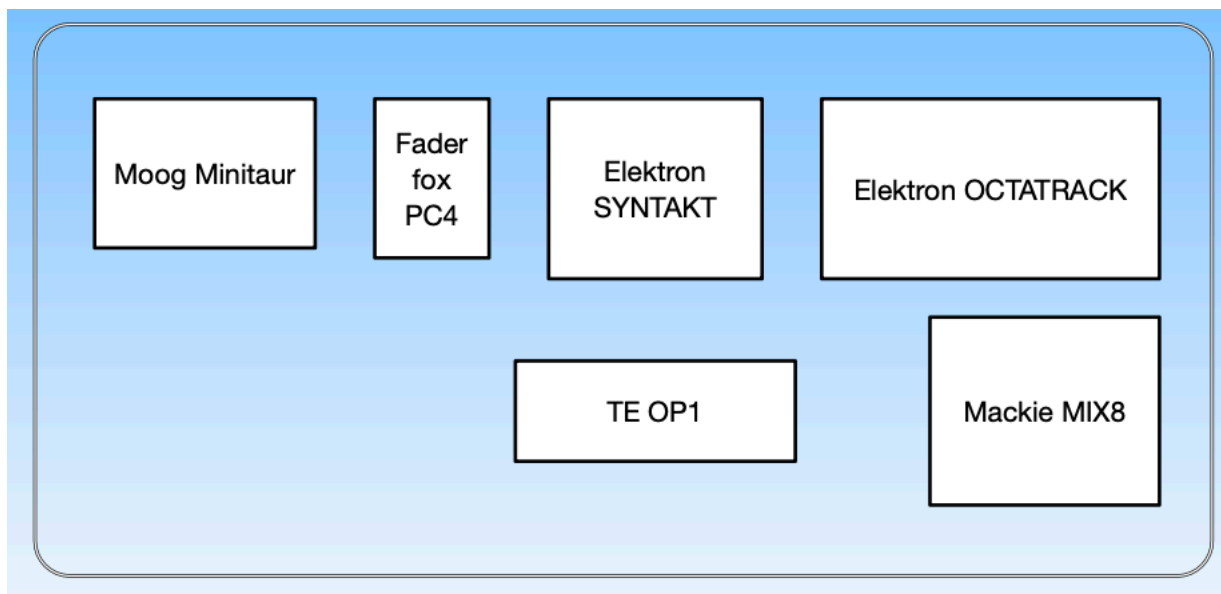
## Power Requirements

2x 4-Way multiplug

## Provided by the Artist

1x In-Ear headphones  
1x Stereo headphone amp with XLR input (Powerplay P1)

## Equipment Overview



Please note that this tech rider is a guideline and may be subject to changes based on venue, concept or logistical requirements.